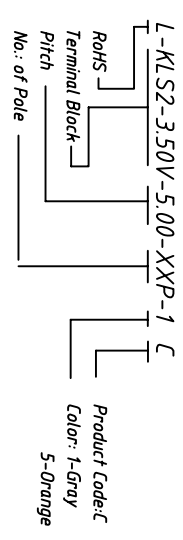


SECTION A-A

C type PCB LAYOUT

Material
 Pin header: Phosphor bronze , Tin plated
 Housing: PA66 , UL94V-0
Electrical
 Rated voltage: 300V
 Rated current: 7A
 Wire range: 26 ~16AWG 1.5mm²
 Contact Resistance: 20 mΩ
 Insulation resistance: 500MΩ/DC500V
 Withstand voltage: AC2000V / 1min
Mechanical
 Temp. Range: -40 °C ~ +105 °C
 Soldering: 250° C±5° C for 5S
 Strip length: 9 ~10 mm

Order Information

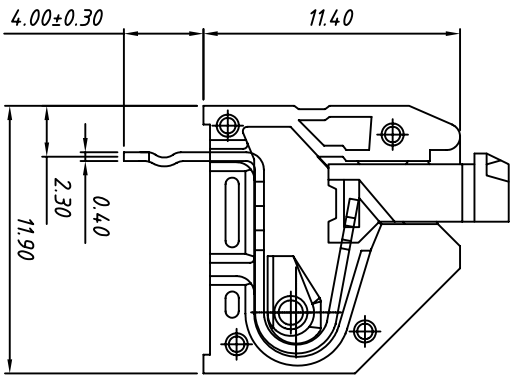
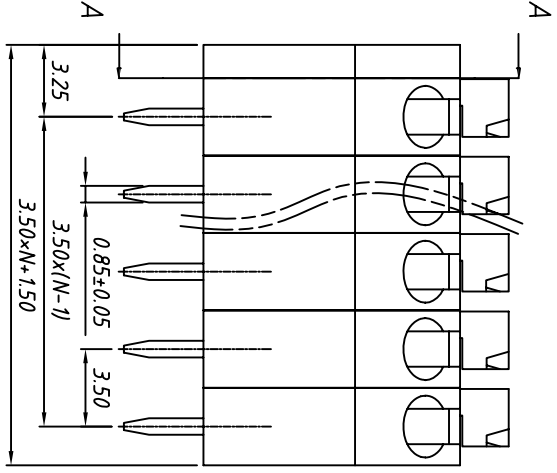
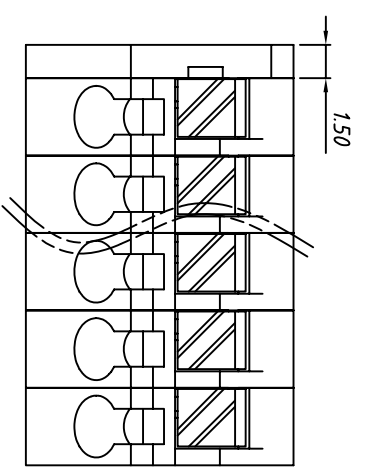


GENERAL TOLERANCE	ANGLE TOLERANCE	PROJECTION	PROJECTION UNITS	SHEET SIZE
X. ±0.60	X. ±5°	.XX ±2°	mm	A4
X ±0.38	.X ±3°			
XX ±0.25				
Draw by 2015-09-01				
Check by 2015-09-15				
SCALE				

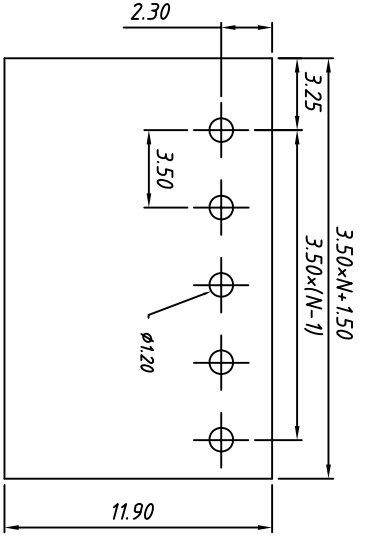
Description:
 Spring Clamp Terminal Block 3.50mm

KLS P/N: KLS2-3.50V-5.00-XXP-1C

KLS ELECTRONIC CO.,LTD.



SECTION A-A



D type PCB LAYOUT

Material

Pin header: Phosphor bronze, Tin plated
Housing: PA66, UL94V-0

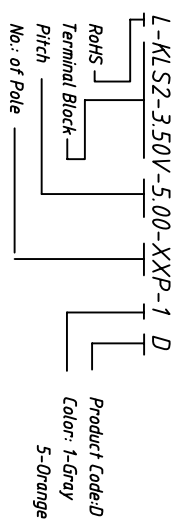
Electrical

Rated voltage: 300V
Rated current: 7A
Wire range: 26 ~ 16AWG 1.5mm²
Contact Resistance: 20 mΩ
Insulation resistance: 500MΩ/DC500V
Withstand voltage: AC2000V / 1min

Mechanical

Temp. Range: -40 °C ~ +105 °C
Soldering: 250 °C±5 °C for SS
Strip length: 9 ~ 10 mm

Order Information



GENERAL TOLERANCE		ANGLE TOLERANCE		PROJECTION		SHEET SIZE	
X. ±0.60	X. ±5°	XX ±2°	mm	44	Description: Spring Clamp Terminal Block 3.50mm KLS P/N: KLS2-3.50V-5.00-XXP-1D KLS ELECTRONIC CO., LTD.		
X ±0.38	.X ±3°	mm					
XX ±0.25							
Draw by 2015-09-01	Check by 2015-09-15	SCALE					